

COOL SPACE 400

When your people are on the job, workplace heat can't go ignored. Cool Space 400 delivers the cooling they need to work safely and efficiently, with options to best fit your facility. Larger media and variable-speed control allow you to adjust Cold Front 400 as conditions in your space change.



KEY FEATURES

- ▶ Quickly cool indoor and outdoor spaces by up to 33 °F (18 °C)
- ▶ Perfect for production facilities, outdoor dining, and gyms
- ▶ Variable-speed motor
- ▶ 8-inch (20-centimeter) cooling media
- ▶ 36-inch (91-centimeter) fan diameter
- ▶ 46-gallon (174-liter) reservoir lasts up to 10 hours without hose connection

COVERAGE AREA

UP TO 3,600 SQUARE FEET
(330 SQUARE METERS)

AIRFLOW

UP TO 9,700 CFM

CONTROL

VARIABLE SPEED

VOLTAGE

**110 V
OR
230 VAC**



BIG ASS FANS

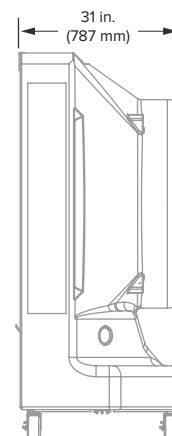
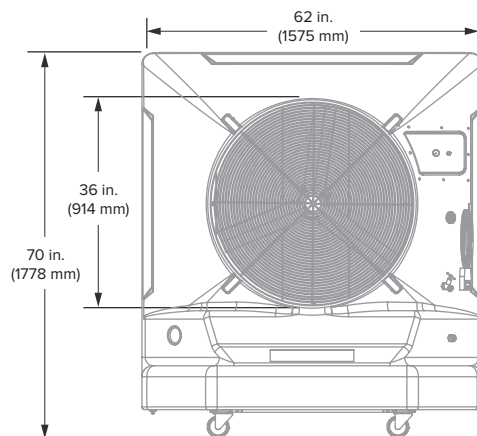
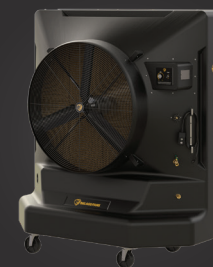
**EXCEPTIONALLY
ENGINEERED**

DISCOVER MORE ABOUT COLD FRONT

Learn more at bigassfans.com/cold-front
or call **877.BIG.FANS** for a free custom quote.

COOL SPACE 400

DELIVER COOLER CONDITIONS AT A MOMENT'S NOTICE



Technical Specifications

| Model | Ordering Information | Input power and required breaker | Amperage ¹ | Drive | Motor | Weight | Water Capacity | Inlet Water Supply Pressure | Environment ² | Airflow and Coverage | Sound Level ³ | Operating Temperature |
|----------------|--------------------------|---|-----------------------|----------------|------------------|------------------|----------------|-----------------------------|---|-------------------------------|--------------------------|----------------------------|
| Cold Front 400 | F-EV1-3601 F-EV1-3602 | 120 VAC, 60 Hz, 1Φ, 15 A 220/230 VAC, 50/60 Hz, 1Φ, 10 A | 8 A 5 A | Variable Speed | 0.75 hp (0.5 kW) | 220 lb (99.8 kg) | 46 gal (174 L) | 120 PSI Max | Well-ventilated indoor or outdoor space | 6,400–9,700 cfm 3600 sq ft | 61 dBA | 0 to 104 °F (-18 to 40 °C) |

Construction

| Housing | Motor | Power Supply | Water Supply | Cooling Media | Maintenance |
|--|-----------------------------------|---|--|--|--|
| UV-resistant roto-molded polyethylene housing Four locking swivel casters | High-efficiency, totally enclosed | 10 ft (3 m) ground fault protected power cord plugs into standard electrical outlet Cord wrap for easy storage | Accepts standard garden hose or portable supply tank Water level regulated by float valve Low-water shutoff for pump longevity | Made from thick cross-corrugated, angle-fluted formulated cellulose Treated with thermosetting resin for strength and prevention of algae | Accessible reservoir cap for convenient water treatment access Drain plug and flush valve for water removal |



Onboard Variable Speed Control

¹ Maximum amperage includes both the fan and pump ratings.
² Not suitable for salt air environments.
³ Fans are sound tested in a laboratory environment. Actual results in field conditions may vary due to sound reflecting surfaces and environmental conditions.

Lead times may vary.
See full warranty for coverage information.