

COOL SPACE 300

Take the fight to workplace heat with Cool Space 300. Engineered with larger cooling media, fan diameter, and reservoir size than our base models, it delivers comfort to workers and guests over a wide area. Thanks to its variable-speed control and virtually silent operation, it's perfect for spaces where rapidly changing conditions require a quick, distraction-free solution.



KEY FEATURES

- ▶ Quickly cool indoor and outdoor spaces by up to 33 °F (18 °C)
- ▶ Great for workshops, garages, and studios
- ▶ Large swivel casters for ease of mobility
- ▶ 8-inch (20-centimeter) resin-treated cooling media
- ▶ 18-inch (46-centimeter) fan diameter
- ▶ 16-gallon (62-liter) reservoir lasts up to 4 hours without hose connection

COVERAGE AREA

1,200 SQUARE FEET
(110 SQUARE METERS)

AIRFLOW

UP TO 2,800 CFM

CONTROL

VARIABLE SPEED

VOLTAGE

110 VAC
OR
230 VAC



BIG ASS FANS

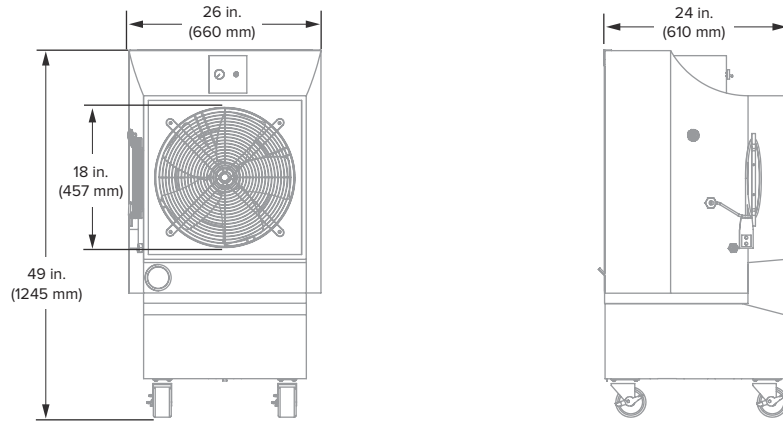
**EXCEPTIONALLY
ENGINEERED**

DISCOVER MORE ABOUT COLD FRONT

Learn more at bigassfans.com/cold-front
or call **877.BIG.FANS** for a free custom quote.

COOL SPACE 300

DELIVER COOLER CONDITIONS AT A MOMENT'S NOTICE



Technical Specifications

Model	Ordering Information	Input power and required breaker	Amperage ¹	Weight	Water Capacity	Inlet Water Supply Pressure	Environment ²	Airflow and Coverage	Sound Level ³	Operating Temperature
Cold Front 300	F-EV1-1801 F-EV1-1802	120 VAC, 60 Hz, 1Φ, 15 A 220/230 VAC, 50/60 Hz, 1Φ, 10 A	4.1 A 1.8 A	100 lb (45.4 kg)	16 gal (60.6 L)	120 PSI maximum	Well-ventilated indoor or outdoor space	700–2,800 cfm 1,200 sq ft	63 dBA	0 to 104 °F (-18 to 40 °C)

Construction

Housing	Motor	Power Supply	Water Supply	Cooling Media	Maintenance
UV-resistant roto-molded polyethylene housing Four locking swivel casters	Variable speed high-efficiency, totally enclosed 0.5 hp (0.37 kW)	10 ft (3 m) ground fault protected power cord plugs into standard electrical outlet Cord wrap for easy storage	Accepts standard garden hose Built-in reservoir for extended use Water level regulated by float valve Low-water shutoff for pump longevity	Made from 8 in. (203 mm) thick cross-corrugated, angle-fluted formulated cellulose Treated with thermosetting resin for strength and prevention of algae	Accessible reservoir cap for convenient water treatment Drain plug and flush valve for water removal



¹ Maximum amperage includes both the fan and pump maximum amperage ratings.
² Not suitable for salt air environments.
³ Fans are sound tested in a laboratory environment. Actual results in field conditions may vary due to sound reflecting surfaces and environmental conditions.

Lead times may vary.
See full warranty for coverage information.