

# AIREYE<sup>®</sup>

Forget off-the-shelf box fans and rickety pedestal fans. AirEye brings Big Ass Fans' premium engineering to your facility with best-in-class performance, efficiency, and smart controls. An IP65-rated design and mountable, powder-coated steel frame give AirEye the durability to take on tough conditions so your workforce stays comfortable and productive.



## KEY FEATURES

- ▶ **Three blades** precision-balanced for smooth performance
- ▶ **IP65-rated EC motor** for superior protection from dust and water
- ▶ **Variable speed controller** with virtually infinite airflow settings
- ▶ **50% more CFM per watt** than basic induction motors
- ▶ **BMS integration and fan grouping** with optional BAFCon controller
- ▶ **Occupancy sensor** available for added convenience and energy savings

### DIAMETER

20, 24, 30, AND  
36 INCHES  
(51, 61, 76, AND 91 CM)

### MOUNTING

MOBILE MOUNT, LOW RIDER,  
WALL/COLUMN, SWIVEL ARM,  
OVERHEAD BEAMS, AND BAR JOISTS

### VOLTAGE

100-120,  
200-240, OR  
277 VAC

### WARRANTY

UP TO  
5 YEARS

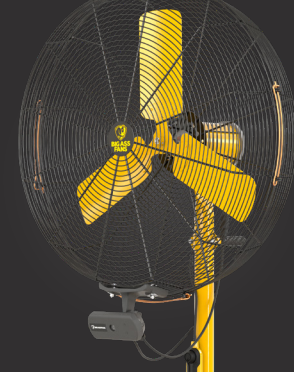


## DISCOVER MORE ABOUT AIREYE

Learn more at [bigassfans.com/aireye](https://bigassfans.com/aireye)  
or call **877.BIG.FANS** for a free custom quote.

# AIREYE

EASY TO MOVE, SIMPLE TO CONTROL, AND A BREEZE TO ENJOY.



## Technical Specifications

Fan Size	Weight <sup>1</sup>	Input Power <sup>2</sup>	Max amps	Max power	Max speed	Motor	Sound at max speed <sup>3</sup>
24 in. (610 mm)	38 lb (17.2 kg)	100–120 VAC, 1 Φ, 50/60 Hz 200–240 VAC, 1 Φ, 50/60 Hz 277 VAC, 1 Φ, 50/60 Hz	5.2 A 3.1 A 3.0 A	396 W 400 W 501 W	1290 RPM 1317 RPM 1319 RPM	1/3 hp	69 dBA
30 in. (762 mm)	45 lb (20.4 kg)	100–120 VAC, 1 Φ, 50/60 Hz 200–240 VAC, 1 Φ, 50/60 Hz 277 VAC, 1 Φ, 50/60 Hz	5.0 A 3.0 A 3.1 A	384 W 390 W 508 W	1280 RPM 1215 RPM 1273 RPM		
36 in. (914 mm)	67 lb (30.4 kg)	100–120 VAC, 1 Φ, 50/60 Hz 200–240 VAC, 1 Φ, 50/60 Hz 277 VAC, 1 Φ, 50/60 Hz	9.7 A 5.5 A 4.5 A	711 W 669 W 716 W	950 RPM 950 RPM 965 RPM	2/3 hp	72 dBA

## Construction Features

Cage and Blades	Motor	Power Supply <sup>4</sup>	Control Options <sup>5</sup>	Environment	Colors	Occupancy Sensor
OSHA-compliant steel wire cage Three precision-balanced blades	Electronically commutated motor	18 ft (5.5 m) cord with plug fits standard power outlet	Infinitely variable speed Automation and multi-fan kit	Suitable for damp environments Rated IPX5	Black cage with high-visibility yellow motor and blades Custom colors available	Available AirEye Occupancy Sensor (AEOS) uses passive infrared detection to run AirEye only when you need it

## Fan Ordering Information

AirEye	Diameter	Voltage <sup>2</sup>	Finish	Mount	Region	Controller <sup>5</sup>
F-AE1	24: 24 in. (610 mm) 30: 30 in. (762 mm) 36: 36 in. (914 mm)	01: 120 V 02: 240 V 03: 277 V	Blank: Standard A750C716: Midnight Black	L9: Low Rider L10: Mobile Mount L11: Mobile Mount with Wheels L12: Swivel Mount L13: Wall Mount L14: C-Channel/I-Beam Mount	Blank: US, CA, MX R01S34: Europe R03S34: Asia	V56: AirEye Occupancy Sensor V59: Automation and Multi-Fan Kit V56V59: Automation and Multi-Fan Kit with AirEye Occupancy Sensor

## Accessory Ordering Information

Description	Part Number
3 ft (0.9 m) Drop Cord Extension (Control)	007269
6 ft (1.8 m) Drop Cord Extension (Control)	007270
12 ft (3.7 m) Drop Cord Extension (Control)	007271

## Finishes



## Variable Speed Control



## Occupancy Sensor



<sup>1</sup> Weight does not include mounts or accessories.

<sup>2</sup> 277 V not compatible with mobile mounts or occupancy sensor; not available for international use.

<sup>3</sup> Fans are sound tested at maximum speed in a laboratory environment. Actual results in field conditions may vary due to sound reflecting surfaces and environmental conditions.

<sup>4</sup> Cable length may vary depending on region. 277 V cable does not include plug.

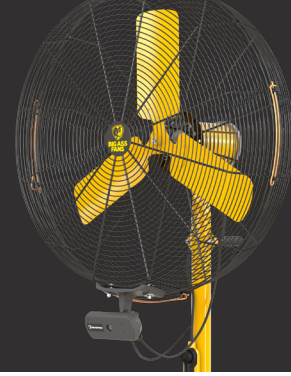
<sup>5</sup> The AirEye Multi-Fan kit must be used with the BAFCon controller. The kit is not compatible with the AirEye Standard Controller.



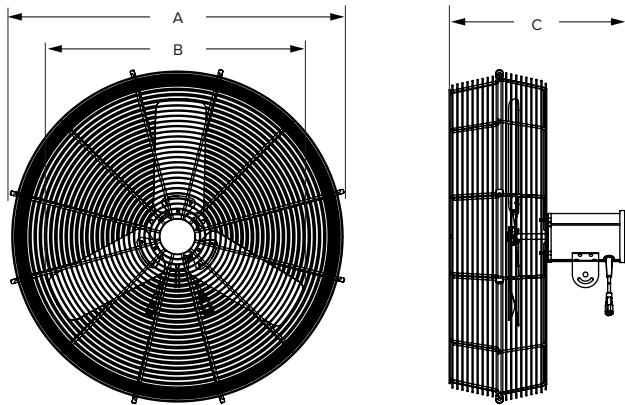
Lead times may vary.  
See full warranty for coverage information.

# AIREYE

EASY TO MOVE, SIMPLE TO CONTROL, AND A BREEZE TO ENJOY.

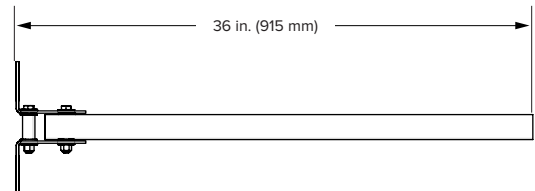


## Blade and Cage Assembly



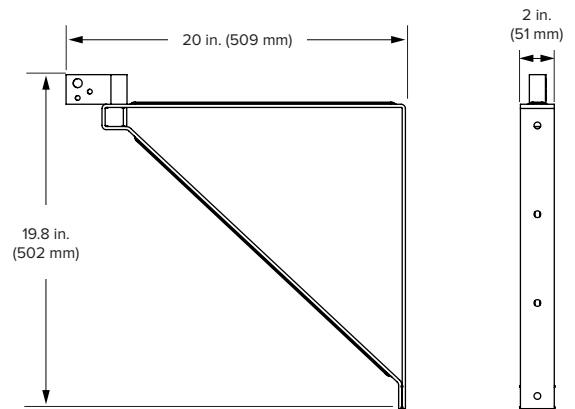
Cage Diameter (A)	Blade Diameter (B)	Depth (C)
25.8 in. (656 mm)	20.5 in. (521 mm)	19.5 in. (495 mm)
32 in. (813 mm)	24.5 in. (622 mm)	19.5 in. (495 mm)
38.2 in. (969 mm)	30.5 in. (775 mm)	19.5 in. (495 mm)
43.2 in. (1097 mm)	36.5 in. (927 mm)	21.5 in. (546 mm)

## Swivel Mount



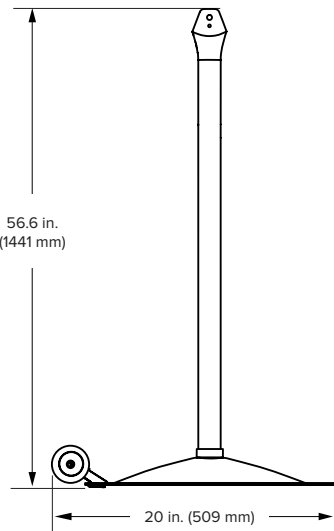
Weight: 16 lb (7.3 kg)

## Wall Mount



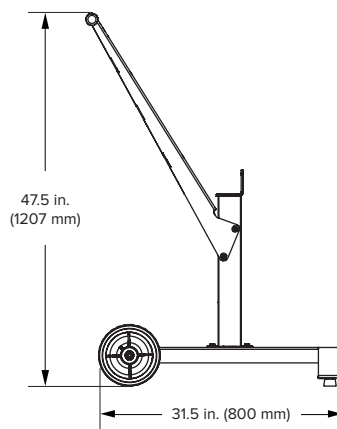
Weight: 9.5 lb (4.3 kg)

## Mobile Mount



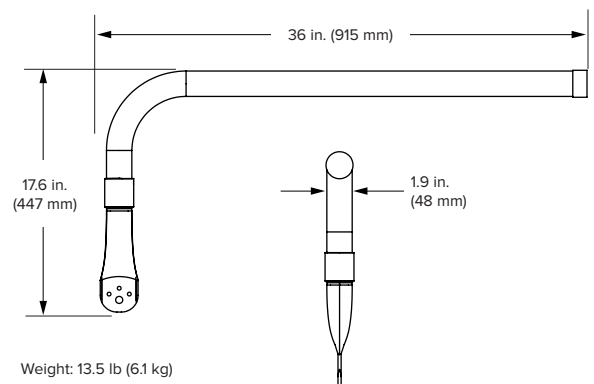
Weight: 44 lb (19.9 kg)

## Low Rider



Weight: 39 lb (17.7 kg)

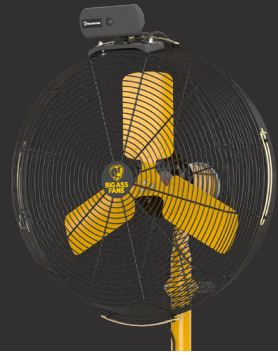
## I-Beam Mount / C-Channel Mount



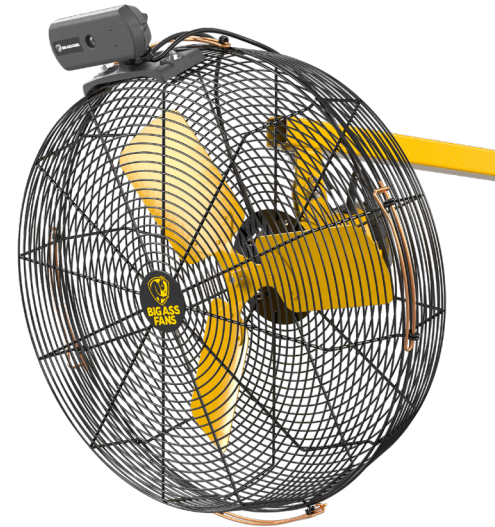
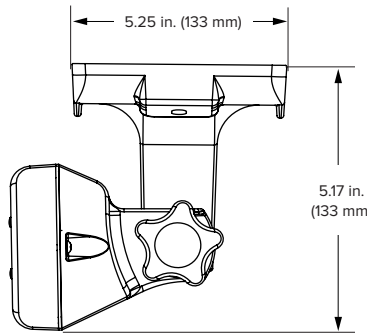
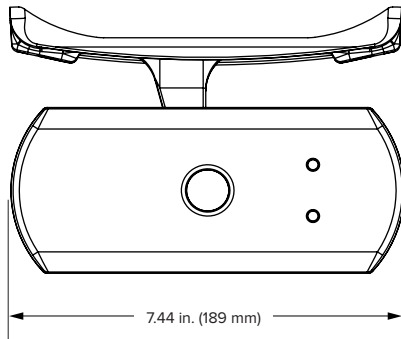
Weight: 13.5 lb (6.1 kg)

# AIREYE OCCUPANCY SENSOR

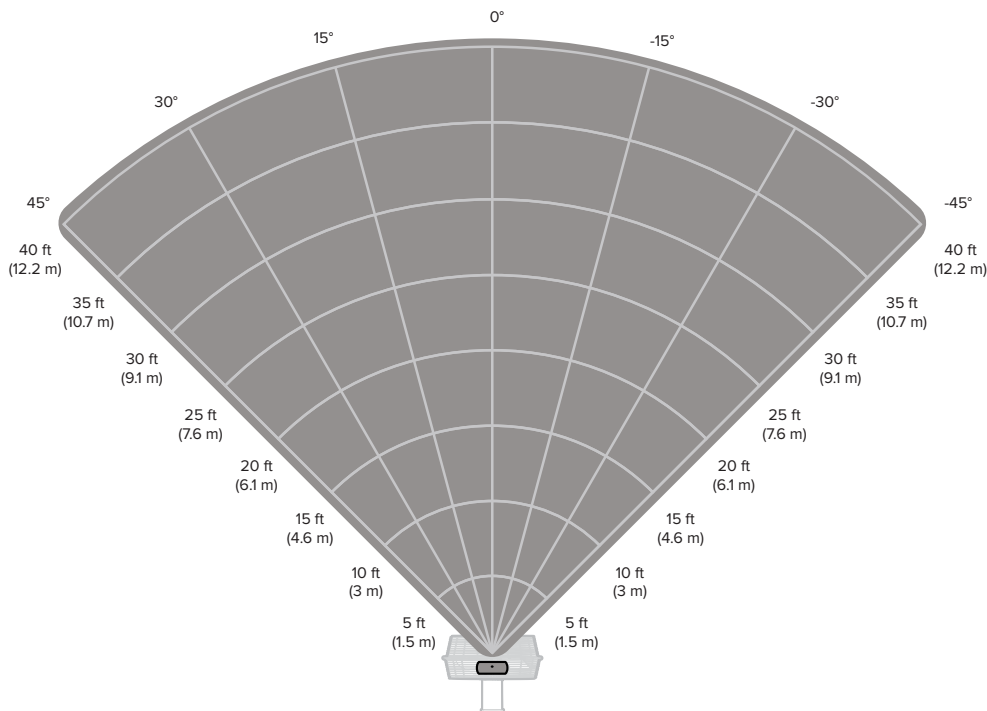
EASY TO MOVE, SIMPLE TO CONTROL, AND A BREEZE TO ENJOY.



With an effective range of up to 40 ft (12.2 m) within a 90-degree radius, the AirEye Occupancy Sensor automatically turns the fan on to a set speed when it detects infrared motion. Its adjustable lock knob allows users to aim the sensor where airflow is needed most, and two status LEDs display AirEye's power and motion-detection activity. The fan will shut off five minutes after occupants leave the area.

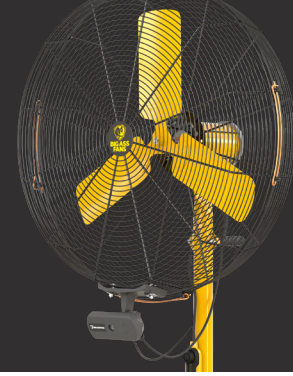


## Sensor Coverage



# AIREYE

## AIRFLOW SPECIFICATIONS



Shaded areas represent cooling up to 120 feet (36.6 meters). That's one-third the length of a football field! Darker shading indicates faster air velocity.

