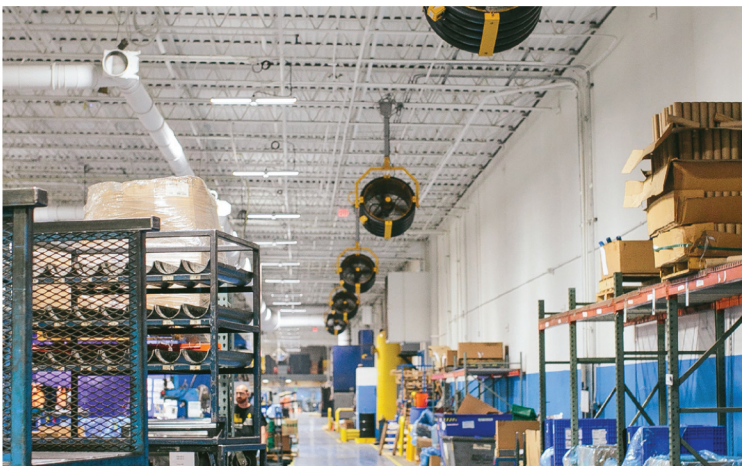


PHYLUX

YELLOW JACKET®

The world's toughest fan takes whatever life throws at it.



WORLD-CLASS AIR POWER, RUGGED CONSTRUCTION

Yellow Jacket is your team's instant MVP—tough enough for heavy-duty abuse, designed for a quick hose-off after a hard day on the floor, and capable of cooling workers from a distance. Its ½ hp motor is energy efficient and quiet, and its OSHA-compliant cage can take a beating without ever putting people or materials at risk.

WHERE YELLOW JACKET FITS RIGHT IN:

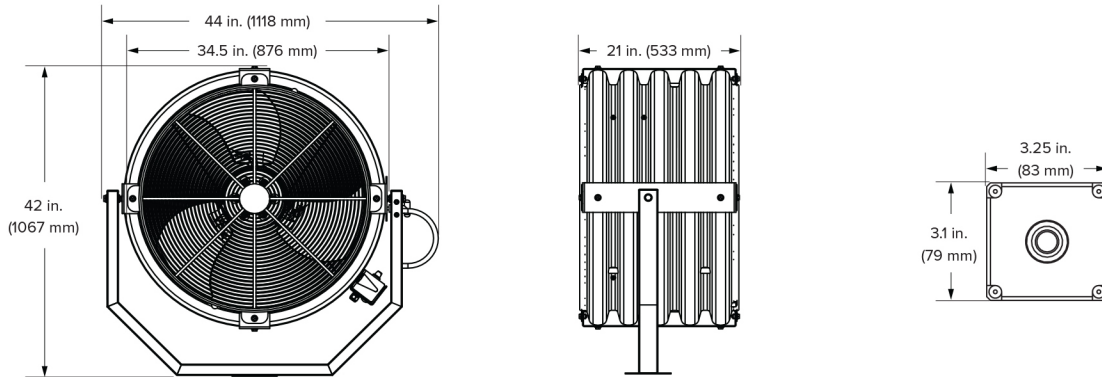
- ✓ Recreational areas
- ✓ Workshops and maintenance bays
- ✓ Long corridors or aisles
- ✓ Spaces with pests, fumes, or smoke
- ✓ Unconditioned workstations

Key Features

- ✓ Indestructible heavy-duty gauge steel won't bend, buckle, or break
- ✓ Ensure airflow to problem areas with 30-inch (762-mm) diameter, 360° rotation, and 10 speed settings
- ✓ Versatile mounting options for any structure or space
- ✓ Optional oscillator
- ✓ 5-year warranty (varies by country; see complete warranty for details)

YELLOW JACKET

SMASHINGLY DURABLE®



Technical Specifications									
Input power and required breaker	Current	Max speed	Power	Temperature range	Sound level at max speed ¹	Weight ²	Motor	IP Rating	
100–125 VAC, 50/60 Hz, 1 Φ, 20 A	7.6–9.8 A	1317 RPM	20/600 W	-40° F to 122° F (-40° C to 50° C)	80.2 dBA	105 lb (47.6 kg)	0.5 hp (0.37 kW)	IPX5	
200–240 VAC, 50/60 Hz, 1 Φ, 15 A	5.0–5.6 A	1308 RPM							

Construction Features						
Cage and Frame	Blades	Power Supply	Controller	Certifications	Colors	
Heavy-gauge steel frame with position locking mechanism provides 360 degrees of rotation OSHA-compliant 1/8 inch (3 mm) steel spiral guards High density polyethylene housing with vibration dampening	Three-dimensional progressive pitch blades Made from high-performance polyamide nylon	10 ft (3 m) cord Fits standard power outlets	Remotely mounted or onboard On/Off Variable speed	CSA Standard 22.2 No. 113 	Standard Yellow Custom colors available	

Mounting and Accessories			
Portable Base	Wall/Column	Overhead	Accessories
Steel frame and portable base 18 or 36 inch (457 or 914 mm) pedestal	Steel bracket Grade 8 hardware	Optional mounting kits allow fan to be mounted to a beam, bar joists, or ceiling	Swivel Kit Oscillator Kit



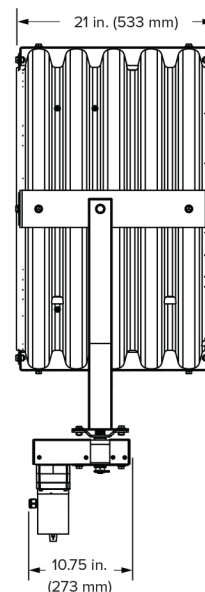
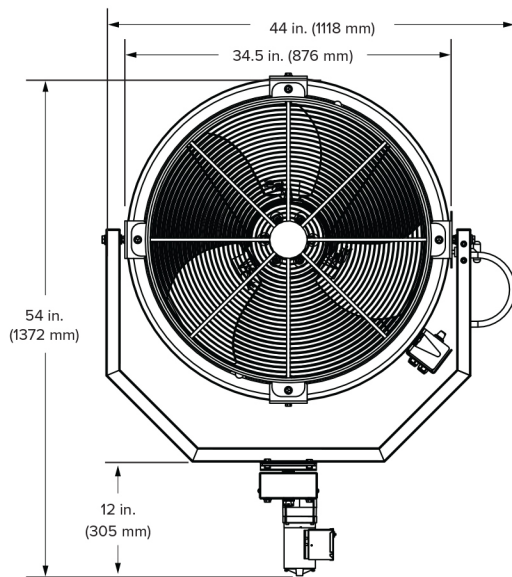
¹Fans are sound tested at maximum speed in a laboratory environment. Actual results in field conditions may vary due to sound reflecting surfaces and environmental conditions.
²Weight only includes fan and yoke.

Lead times may vary.
 Warranties may vary by country. See full warranty for coverage information.

YELLOW JACKET

OSCILLATOR

SMASHINGLY DURABLE®



Fan Technical Specifications

Input power and breaker	Current	Max speed ¹	Sound level at max speed ²	Weight	Motor
100–125 VAC, 1 Φ, 60 Hz, 20 A	7.6–9.8 A	1317 RPM	80.2 dBA	105 lb (47.6 kg)	0.5 hp (0.37 kW)

Oscillator Technical Specifications¹

Input Power	Current	Motor	Oscillations per minute	Angle Adjustment
100–125 VAC, 1 Φ	0.33 A	0.05 hp (0.037 kW)	Up to 2.3 OPM	45, 60, or 90 degrees



¹Speed shown is nominal. Performance is based on actual speed of test.
²Measured 5 ft (1.5 m) from fan. Fans are sound tested at maximum speed in a laboratory environment. Actual results in field conditions may vary due to sound reflecting surfaces and environmental conditions.

Lead times may vary. See full warranty for coverage information.