

BLACK JACK

Powerful airflow that's a breeze to maneuver.



THE FACILITY MANAGER'S RIGHT-HAND FAN

Ready for action right out of the box, the popular Black Jack is sized to provide optimal airflow but still move easily through standard interior doors. It's big enough to cool people across large spaces 120 feet (36.6 meters) away, but small enough to tuck away when it's not needed.

BLACK JACK GOES ANYWHERE, BUT WORKS BEST HERE:

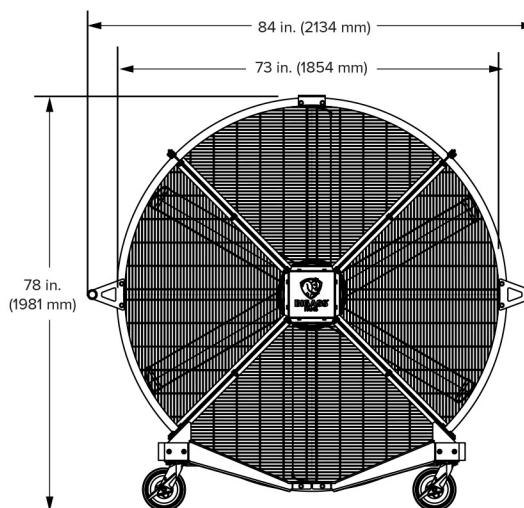
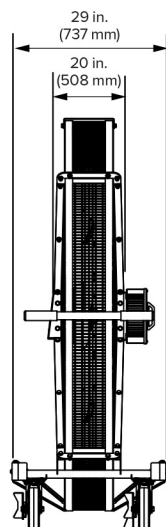
- ✓ Recreational and fitness spaces
- ✓ Large, open spaces
- ✓ Workshops and maintenance bays
- ✓ Long corridors and dock doors
- ✓ Low ceiling height areas
- ✓ Outdoor events and festivals

Key Features

- ✓ 6.5-foot (2-m) diameter fits through standard doorways and doesn't crowd the floor
- ✓ Helps remove unpleasant odors and deter pests
- ✓ Easy to clean or spray down; IPX5 rated for indoor or outdoor use
- ✓ Variable speed control offers unlimited speed settings
- ✓ OSHA-compliant cage guarantees worry-free cooling
- ✓ Pre-assembled with wheels and uses standard 110 V or 240 V for quick, simple operation
- ✓ Limit noise and distractions with quiet, energy-efficient, direct-drive motor
- ✓ 5-year warranty (varies by country; see complete warranty for details)

BLACK JACK



POWERFUL AIRFLOW THAT'S A BREEZE TO MANEUVER.

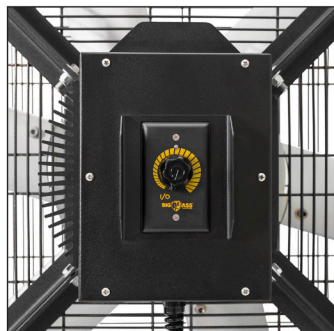


Technical Specifications

Input power and required breaker	Amperage	Wattage	Operating Temperature	Sound at max speed ¹	Weight
110–125 VAC, 50/60 Hz, 1 Φ, 15 A	7.8–7.1 A	473 W	-4°F to 131°F (-20°C to 55°C)	63.5 dBA	310 lb (141 kg)
200–240 VAC, 50/60 Hz, 1 Φ, 10 A	5.6–4.6 A	466 W			

Construction Features

Cage and Frame	Motor and Controller	Power Supply	Environment	Certifications	Colors
Preassembled 6.5 ft (2 m) steel frame OSHA-compliant cage All-terrain wheels with rubber treads	Direct drive ECM motor Variable speed control	25 ft (7.6 m) cord with plug fits standard power outlet Optional 10 ft (3 m) cord available	IPX5 for indoor or outdoor use Washdown construction	 UL Standard 507 and CSA Standard 22.2 No. 113 	Black Custom colors available



¹ Not suitable for salt air environments.

² Fans are sound tested at maximum speed in a laboratory environment. Actual results in field conditions may vary due to sound reflecting surfaces and environmental conditions.

Lead times may vary. See full warranty for coverage information.

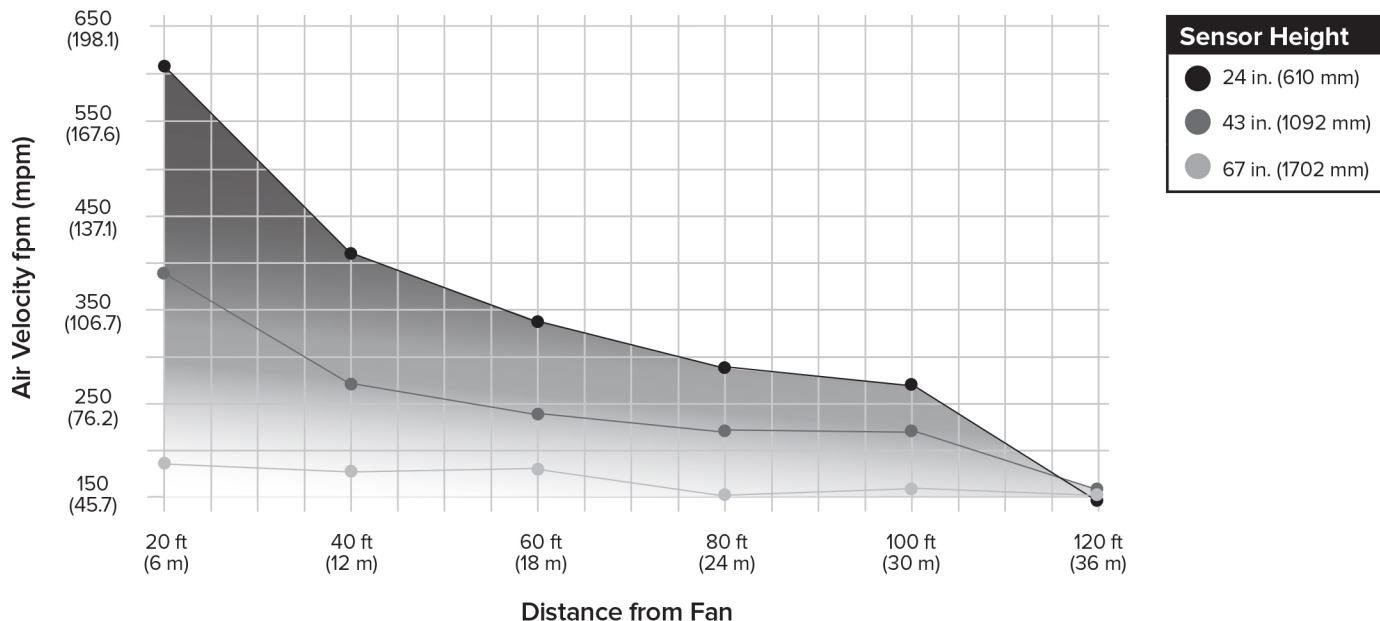
BLACK JACK

AIRFLOW



AIRFLOW VELOCITY

The three lines show air velocity from the center of the fan at three sensors of varying height.



AIRFLOW DISTANCE

Shaded areas represent cooling up to 120 feet (36.6 meters). That's one-third the length of a football field! Darker shading indicates faster air velocity.

