



Haiku® Fans I Series

Iconic Design Meets Exceptional Efficiency

The I Series ceiling fan embodies our dedication to design, simplicity and efficiency. Built from our durable matrix glass composite and coated with three layers of automotive-quality paint, I Series is as resilient as it is sleek. Onboard SenseME™ Technology allows for automated fan operation, tailoring it to

fit your unique comfort needs and maximize both comfort and conservation. I Series is capable of connecting with other smart technologies to significantly reduce the workload of heating and cooling systems.

SenseME Technology Features



Motion Sensor

Detects when you enter or leave a room, turning the fan and LED light on and off automatically



Whoosh® Mode

Silently varies fan speed to mimic cooling natural breezes



Smart Mode

Alternates between seasonal settings—Smarter Heating and Smarter Cooling—to maintain comfort and maximize energy savings



Sleep Mode

Responds to changing conditions to provide customized comfort all night long



Scheduling

Sets precise schedules for fan control modes



Wi-Fi

Connects to the Haiku Home mobile app for fan control and over-the-air updates

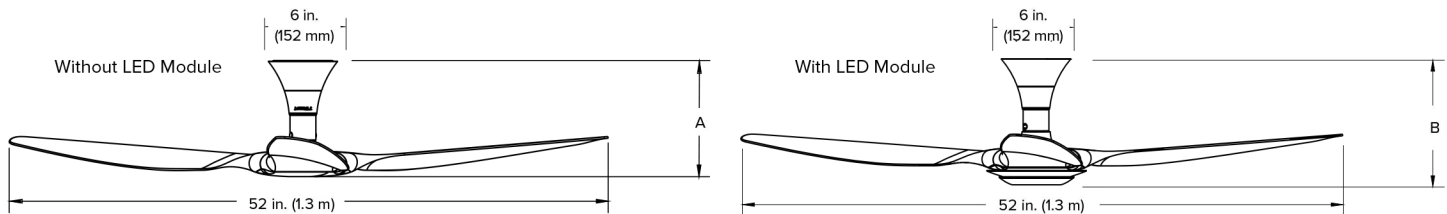
PHYLUX

Tel: +65 6848 8500 / 6848 4747
Email: enquiry@haiku.com.sg



HAIKU

www.Haiku.com.sg



Technical Specifications		
Model	Haiku Matrix Composite Short Mount	
Model number	K3127-S0-XX-XX-03-C ¹	
Fan diameter	52 in. (1.3 m)	
Fan height (A)	11.3 in (287.0 mm)	
Fan height (B)	11.8 in. (299.7 mm)	
Hanging weight	14 lb (6 kg) ²	
Motor and assembly finishes	Black or white	
Airfoil material	Matrix composite	
Airfoil finishes	Black or white	
Number of airfoils	3	
Motor type	EC motor with digital inverter drive	
Power factor	>0.92	
Number of fan speeds	6	
Operating voltage and frequency	100–240 VAC, 1 Φ, 50–60 Hz	
IP rating	X2	
RPM (min/max)	49/179 RPM	
Amps (min/max)	0.0409/0.3459 A	
Watts (min/max)	1.66/22.61 W	
Remote control	Included	
Wireless wall control	Optional	
Controller features	FAN: Whoosh® mode On/off Sleep mode Timer Speed	
	LIGHT: Light on/off 16 dimmable light settings	
Environment	Indoor or covered outdoor use ³	
Warranty (Residential)⁴	Motor	Limited Lifetime in the US and Canada
	All other components	1 year in the US and Canada
Warranty (Commercial)⁴	Motor	2 years in the US and Canada
	All other components	1 year in the US and Canada

Accessories

Standard Remote



Optional Wireless Wall Control



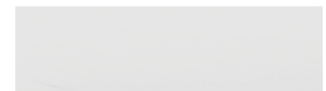
Optional LED Module



Airfoil Finishes



Black



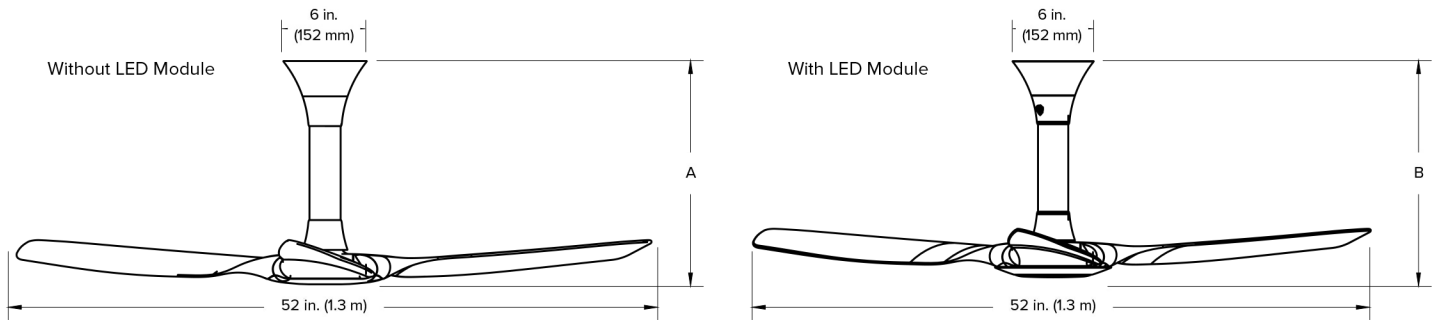
White

¹ XX-XX indicates placeholder numbers, which vary depending on LED option, where the fan was built, and other factors.

² The actual, precise fan weight will vary based on individual component weights and finishing.

³ Certified by ETL to UL507 damp rated applications

⁴ Warranties vary by country. See full warranty for details.



Technical Specifications

Model	Haiku Matrix Composite Standard Mount	
Model number	K3127-A2-XX-XX-03-C ¹	
Fan diameter	52 in. (1.3 m)	
Fan height (A)	16.2 in. (411.5 mm)	
Fan height (B)	16.6 in. (421.6 mm)	
Hanging weight	14 lb (6 kg) ²	
Motor and assembly finishes	Black or white	
Airfoil material	Matrix composite	
Airfoil finishes	Black or white	
Number of airfoils	3	
Motor type	EC motor with digital inverter drive	
Power factor	>0.92	
Number of fan speeds	7	
Operating voltage and frequency	100–240 VAC, 1 Φ , 50–60 Hz	
IP rating	X2	
RPM (min/max)	49/202 RPM	
Amps (min/max)	0.0384/0.2649 A	
Watts (min/max)	1.84/31.32 W	
Remote control	Included	
Wireless wall control	Optional	
Controller features	FAN: Whoosh® mode On/off Sleep mode Timer Speed	
	LIGHT: Light on/off 16 dimmable light settings	
Environment	Indoor or covered outdoor use ³	
Warranty (Residential)⁴	Motor	Limited Lifetime in the US and Canada
	All other components	1 year in the US and Canada
Warranty (Commercial)⁴	Motor	2 years in the US and Canada
	All other components	1 year in the US and Canada

Accessories

Standard Remote



Optional Wireless Wall Control



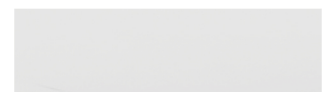
Optional LED Module



Airfoil Finishes



Black



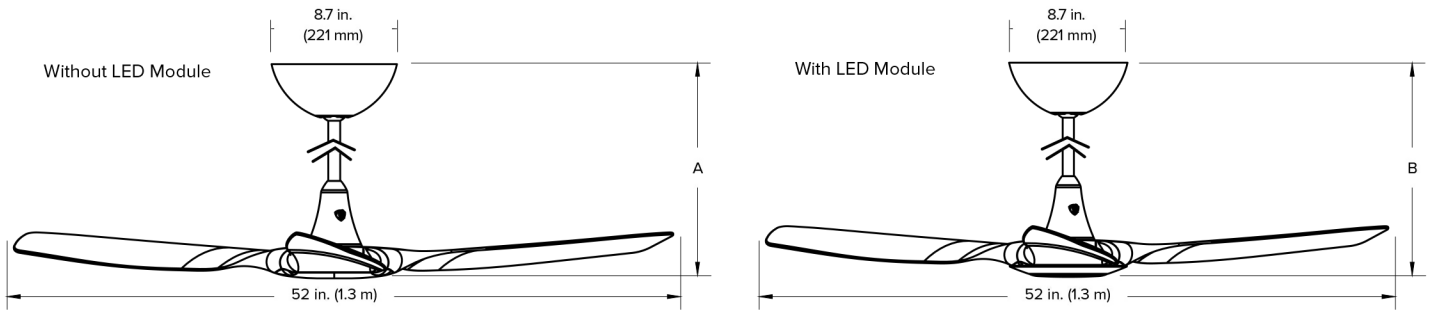
White

¹ XX-XX indicates placeholder numbers, which vary depending on LED option, where the fan was built, and other factors.

² The actual, precise fan weight will vary based on individual component weights and finishing.

³ Certified by ETL to UL507 damp rated applications

⁴ Warranties vary by country. See full warranty for details.



Technical Specifications

Model	Haiku Matrix Composite Extended Mount				
Model number	K3127-X2-XX-XX-03-C ¹				
Extension length	7 in. (177.8 mm)	20 in (508 mm)	32 in (812.8 mm)	48 in (1219.2 mm)	60 in (1524 mm)
Fan diameter	52 in. (1.3 m)				
Fan height (A)	15 in (381 mm)	28 in (711.2 mm)	40 in (1016 mm)	56 in (1422.4 mm)	66 in (1676.4 mm)
Fan height (B)	15.4 in (391.2 mm)	28.4 in (721.4 mm)	40.4 in (1026.16 mm)	56.4 in (1432.6 mm)	66.4 in (1686.6 mm)
Hanging weight	13 lb (5.9 kg) ²				
Motor and assembly finishes	Black or white				
Airfoil material	Matrix composite				
Airfoil finishes	Black or white				
Number of airfoils	3				
Motor type	EC motor with digital inverter drive				
Power factor	>0.92				
Number of fan speeds	7				
Operating voltage and frequency	100–240 VAC, 1 Φ, 50–60 Hz				
IP rating	X2				
RPM (min/max)	49/200 RPM				
Amps (min/max)	0.0039/0.259 A				
Watts (min/max)	1.82/30.67 W				
Remote control	Included				
Wireless wall control	Optional				
Controller features	<p>FAN: Whoosh® mode On/off Sleep mode Timer Speed</p> <p>LIGHT: Light on/off 16 dimmable light settings</p>				
Operational temperature range	32 to 104°F (0 to 40°C)				
Environment	Indoor or covered outdoor use ³				
Warranty (Residential)³	Motor	Limited Lifetime in the US and Canada			
	All other components	1 year in the US and Canada			
Warranty (Commercial)³	Motor	2 years in the US and Canada			
	All other components	1 year in the US and Canada			

Accessories

Standard Remote



Optional Wireless Wall Control



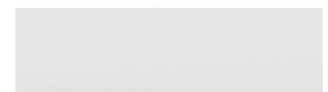
Optional LED Module



Airfoil Finishes



Black



White

¹ XX-XX indicates placeholder numbers, which vary depending on LED option, where the fan was built, and other factors.

² The actual, precise fan weight will vary based on actual individual component weights and finishing.

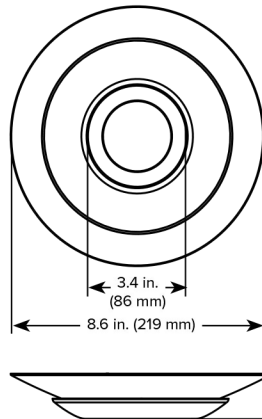
³ Certified by ETL to UL507 damp rated applications

⁴ Limited lifetime warranty available in the US and Canada; certain exclusions apply. Warranties vary by country. See full warranty for details.

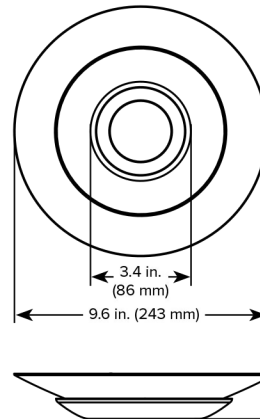
Optional Accessory:

Haiku LED Kit

TECHNICAL SPECIFICATIONS



Composite LED



Bamboo / Polished Aluminum LED

Technical Specifications

Operating voltage	12VDC/24VDC
Operating current	1.5 Adc (100% PWM)
Nominal input power	16.3 W
Operating temperature	32 to 104°F (0 to 40°C)
Lens diameter	5.7 in. (145 mm)
Lumen output	1280 Lm
Typical CR	82
Corresponding color temperature	2700 K
Dimming range	3–100%
Operating life expectancy	50,000 hours
Lens color	Diffused clear and smoky options included
Controller	On/off control Digital dimmer
Warranty	1 year in the US and Canada*

*1 year warranty available in the US and Canada; certain exclusions apply. Warranties vary by country. See full warranty for details.

PHYLUX

Tel: +65 6848 8500 / 6848 4747
Email: enquiry@haiku.com.sg

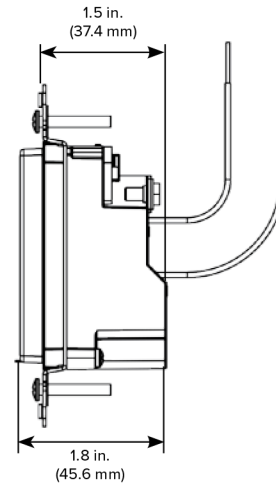
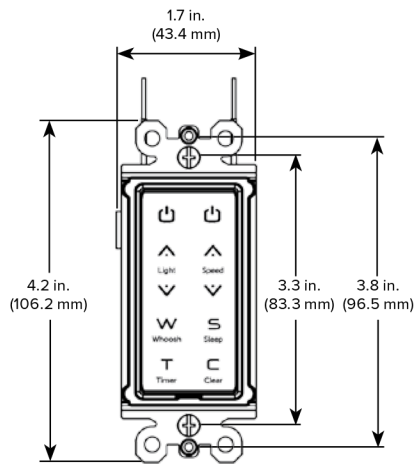


www.Haiku.com.sg

Optional Accessory:

Haiku 52 Wall Controller

TECHNICAL SPECIFICATIONS



Technical Specifications

Model	WCO	
Compatible model number	S3127-S0-XX-XX-03-C1	K3127-S0-XX-XX-03-C1
	S3127-A2-XX-XX-03-C1	K3127-A2-XX-XX-03-C1
	S3127-X2-XX-XX-03-C1	K3127-X2-XX-XX-03-C1
Color	White	
RF frequency	900 Mhz	
Operating range	20 ft (6.1 m) from controller to fan; successive fans must be within 20 ft (6.1 m) of each other	
Multiple fan operation ¹	Control up to four fans with a single controller	
Nominal input power	100–240V	
Wall control features	FAN: Whoosh® mode On/off Fan speeds: 6 or 7 (model dependent) Sleep mode Timer Reverse	
	LIGHT: Light on/off 16 dimmable light settings	
User interface	Capacitive touch interface	
Status indicator	White LEDs indicate user-entered values Blue LEDs indicate fan speed and lighting level LEDs turn off after 5 seconds of inactivity	
Parts included	Wireless wall control and mounting screws RF board and antenna retainer	
Wallplate	Not included; Decora® wallplate recommended	
Dimension	Fits standard electrical box	
Warranty	1 year warranty in the US and Canada ²	

Wall Controller



Controller Settings



Light

LED module with 16 settings provides the perfect level of light for any need.



Whoosh

The exclusive **Whoosh® mode** simulates the variations in natural airflow.

Timer

In **Timer mode**, the fan runs at a set speed until the programmed time period ends.



Speed

Speed options from gentle heat recirculation to a cooling breeze.



Sleep

Sleep mode reduces the fan speed by one increment every hour until the lowest speed is reached.

Clear

The **Clear button** returns the fan to default settings.

¹ RF board must be ordered separately for each additional fan

² 1 year warranty available in the US and Canada; certain exclusions apply. Warranties vary by country. See full warranty for details.

PHYLUX

Tel: +65 6848 8500 / 6848 4747
Email: enquiry@haiku.com.sg



www.Haiku.com.sg