



Haiku® Fans H Series

Quality, Elegance and Efficiency

The H Series ceiling fan from Haiku represents our foremost achievement in design, craftsmanship and technological capability. Built from premium materials like aircraft-grade aluminum and sustainable Moso bamboo, H Series offers an exceptional number of customizable options. Onboard SenseME™ Technology allows for automated fan operation,

tailoring it to fit your unique comfort needs and minimizing energy use year-round. H Series holds top rankings from ENERGY STAR® and is capable of connecting with other smart technologies to significantly reduce the workload of heating and cooling systems.

SenseME Technology Features



Motion Sensor

Detects when you enter or leave a room, turning the fan and LED light on and off automatically



Whoosh® Mode

Silently varies fan speed to mimic cooling natural breezes



Smart Mode

Alternates between seasonal settings—Smarter Heating and Smarter Cooling—to maintain comfort and maximize energy savings



Sleep Mode

Responds to changing conditions to provide customized comfort all night long



Scheduling

Sets precise schedules for fan control modes



Wi-Fi

Connects to the Haiku Home mobile app for fan control and over-the-air updates

PHYLUX

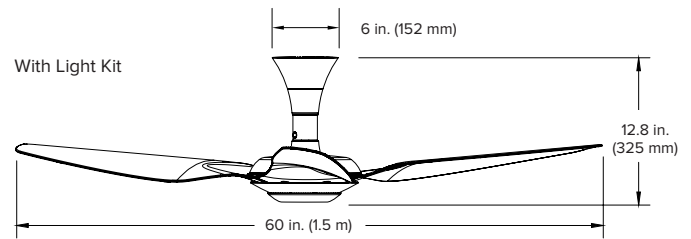
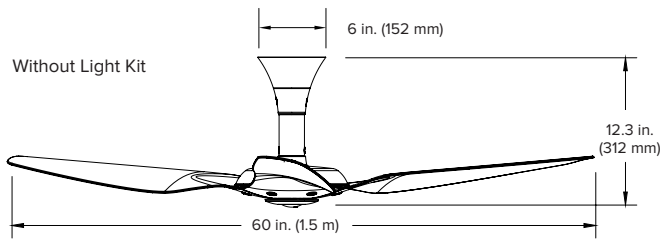
Tel: +65 6848 8500 / 6848 4747
Email: enquiry@haiku.com.sg



www.Haiku.com.sg

H Series Fans

TECHNICAL SPECIFICATIONS



Technical Specifications

| Model | H Series Bamboo Low Profile Mount | |
|-------------------------------------|---|---------------------------------------|
| Model number ¹ | S3150-S0-XX-XX-02-C-01 | |
| Fan diameter | 60 in. (1.5 m) | |
| Fan height without light | 12.3 in. (312 mm) | |
| Fan height with light | 12.8 in. (325 mm) | |
| Hanging weight ² | 16 lb (7.3 kg) | |
| Motor and assembly finishes | Caramel: white, black, satin nickel, oil-rubbed bronze Cocoa: black, satin nickel, oil-rubbed bronze | |
| Airfoil material | Bamboo | |
| Airfoil finishes | Caramel or Cocoa | |
| Number of airfoils | 3 | |
| Motor type | EC motor with digital inverter drive | |
| Number of fan speeds | 7 | |
| Operating voltage and frequency | 100–125 VAC, 1 Φ , 50–60 Hz 200–240 VAC, 1 Φ , 50–60 Hz | |
| RPM (min/max) | 35/202 RPM | |
| Amps (min/max) | 0.04/0.23 A | |
| Watts (min/max) | 1.41/13.83 W | |
| Controller ³ | Haiku Home app; handheld remote supplied | |
| Optional light kit | 16 dimmable light settings | |
| Operational temperature range | 32° to 104° F (0° to 40° C) | |
| Environment | For indoor use only | |
| Warranty (Residential) ⁴ | Motor | Limited lifetime in the US and Canada |
| | All other components | 1 year in the US and Canada |
| Warranty (Commercial) ⁴ | Motor | 2 years in the US and Canada |
| | All other components | 1 year in the US and Canada |

Accessories

Handheld Remote



Optional Haiku Wall Control



Optional Light Kit



Airfoil Finishes



Caramel Bamboo



Cocoa Bamboo

Sensors

| | |
|-----------------------|--|
| Environmental sensors | Ambient temperature, surface temperature and relative humidity |
| Motion | Passive infrared |
| Communication radio | Embedded Wi-Fi chip |

¹ XX-XX indicates placeholder numbers, which vary depending on finish options, where the fan is installed, and other factors.

² The actual, precise fan weight will vary based on individual component weights and finishing.

³ SenseME Technology is supported by Android™ and iOS®. All specifications are subject to change without notice.

⁴ Warranties vary by country. See full warranty for details.



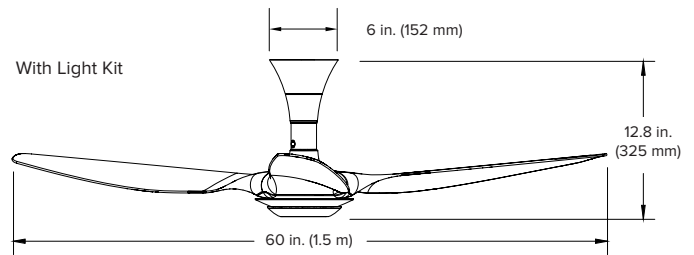
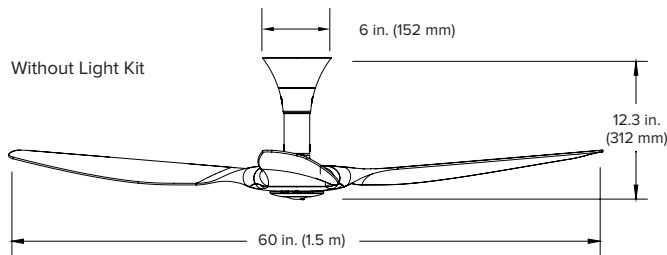
Made in USA
Haiku with SenseME



HAIKU
BY BIG ASS SOLUTIONS

H Series Fans

TECHNICAL SPECIFICATIONS



Technical Specifications

| Model | H Series Aluminum Low Profile Mount | |
|-------------------------------------|--|---------------------------------------|
| Model number ¹ | S3150-S0-XX-XX-02-C-01-F421 | |
| Fan diameter | 60 in. (1.5 m) | |
| Fan height without light | 12.3 in. (312 mm) | |
| Fan height with light | 12.8 in. (325 mm) | |
| Hanging weight ² | 18.5 lb (8.4 kg) | |
| Motor and assembly finishes | Black or white | |
| Airfoil material | Aluminum | |
| Airfoil finishes | Polished aluminum | |
| Number of airfoils | 3 | |
| Motor type | EC motor with digital inverter drive | |
| Number of fan speeds | 7 | |
| Operating voltage and frequency | 100–125 VAC, 1 Φ , 50–60 Hz 200–240 VAC, 1 Φ , 50–60 Hz | |
| RPM (min/max) | 35/177 RPM | |
| Amps (min/max) | 0.04/0.25 A | |
| Watts (min/max) | 2.02/18.44 W | |
| Controller ³ | Haiku Home app; handheld remote supplied | |
| Optional light kit | 16 dimmable light settings | |
| Operational temperature range | 32° to 104° F (0° to 40° C) | |
| Environment ⁴ | For indoor or covered outdoor use | |
| Warranty (Residential) ⁵ | Motor | Limited lifetime in the US and Canada |
| | All other components | 1 year in the US and Canada |
| Warranty (Commercial) ⁵ | Motor | 2 years in the US and Canada |
| | All other components | 1 year in the US and Canada |

¹ XX-XX indicates placeholder numbers, which vary depending on finish options, where the fan is installed, and other factors.

² The actual, precise fan weight will vary based on individual component weights and finishing.

³ SenseME Technology is supported by Android™ and iOS™. All specifications are subject to change without notice.

⁴ Certified by Intertek/ETL to UL 507 damp rated applications

⁵ Warranties vary by country. See full warranty for details.

Accessories

Handheld Remote



Optional Haiku Wall Control



Optional Light Kit



Airfoil Finish



Polished Aluminum

Sensors

| | |
|-----------------------|--|
| Environmental sensors | Ambient temperature, surface temperature and relative humidity |
| Motion | Passive infrared |
| Communication radio | Embedded Wi-Fi chip |



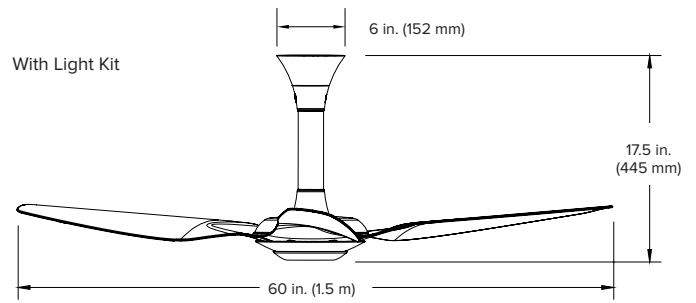
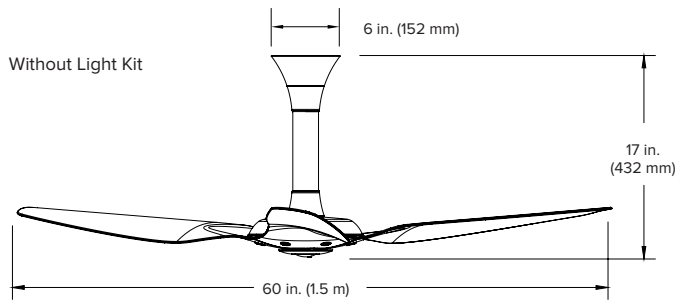
Made in USA
Haiku with SenseME



HAIKU
BY BIG ASS SOLUTIONS

H Series Fans

TECHNICAL SPECIFICATIONS



Technical Specifications

| | | |
|---|---|---------------------------------------|
| Model | H Series Bamboo Standard Mount | |
| Model number¹ | S3150-A2-XX-XX-02-C-01 | |
| Fan diameter | 60 in. (1.5 m) | |
| Fan height without light | 17 in. (432 mm) | |
| Fan height with light | 17.5 in. (445 mm) | |
| Hanging weight² | 16 lb (7.3 kg) | |
| Motor and assembly finishes | Caramel: white, black, satin nickel, oil-rubbed bronze Cocoa: black, satin nickel, oil-rubbed bronze | |
| Airfoil material | Bamboo | |
| Airfoil finishes | Caramel or Cocoa | |
| Number of airfoils | 3 | |
| Motor type | EC motor with digital inverter drive | |
| Number of fan speeds | 7 | |
| Operating voltage and frequency | 100–125 VAC, 1 Φ , 50–60 Hz 200–240 VAC, 1 Φ , 50–60 Hz | |
| RPM (min/max) | 35/202 RPM | |
| Amps (min/max) | 0.04/0.363 A | |
| Watts (min/max) | 1.99/19.88 W | |
| Controller³ | Haiku Home app; handheld remote supplied | |
| Optional light kit | 16 dimmable light settings | |
| Operational temperature range | 32° to 104° F (0° to 40° C) | |
| Environment | For indoor use only | |
| Warranty (Residential)⁴ | Motor | Limited lifetime in the US and Canada |
| | All other components | 1 year in the US and Canada |
| Warranty (Commercial)⁴ | Motor | 2 years in the US and Canada |
| | All other components | 1 year in the US and Canada |

Accessories

Handheld Remote



Optional Haiku Wall Control



Optional Light Kit



Airfoil Finishes



Caramel Bamboo



Cocoa Bamboo

Sensors

| | |
|------------------------------|--|
| Environmental sensors | Ambient temperature, surface temperature and relative humidity |
| Motion | Passive infrared |
| Communication radio | Embedded Wi-Fi chip |

¹ XX-XX indicates placeholder numbers, which vary depending on finish options, where the fan is installed, and other factors.

² The actual, precise fan weight will vary based on individual component weights and finishing.

³ SenseME Technology is supported by Android™ and iOS™. All specifications are subject to change without notice.

⁴ Warranties vary by country. See full warranty for details.

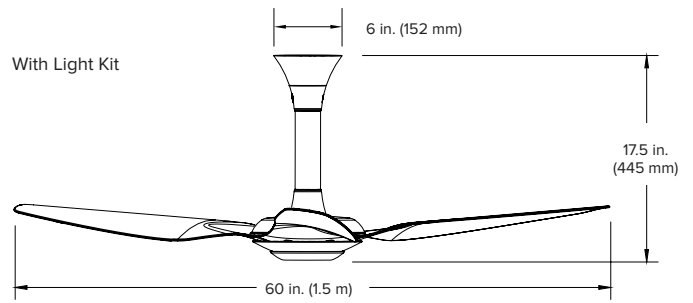
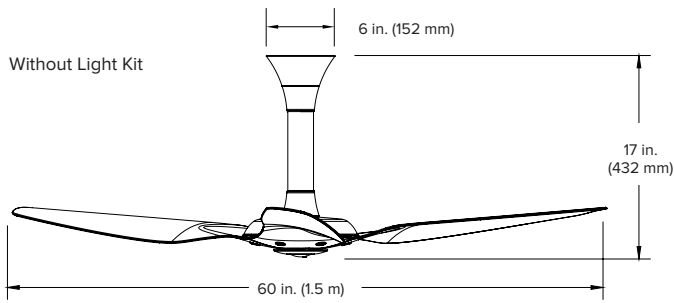


Made in USA
Haiku with SenseME



HAIKU
BY BIG ASS SOLUTIONS

H Series Fans | TECHNICAL SPECIFICATIONS



Technical Specifications

| | | |
|---|--|---------------------------------------|
| Model | H Series Aluminum Standard Mount | |
| Model number¹ | S3150-A2-XX-XX-02-C-01-F421 | |
| Fan diameter | 60 in. (1.5 m) | |
| Fan height without light | 17 in. (432 mm) | |
| Fan height with light | 17.5 in. (445 mm) | |
| Hanging weight² | 18.5 lb (8.4 kg) | |
| Motor and assembly finishes | Black or white | |
| Airfoil material | Aluminum | |
| Airfoil finishes | Polished aluminum | |
| Number of airfoils | 3 | |
| Motor type | EC motor with digital inverter drive | |
| Number of fan speeds | 7 | |
| Operating voltage and frequency | 100–125 VAC, 1 Φ , 50–60 Hz 200–240 VAC, 1 Φ , 50–60 Hz | |
| RPM (min/max) | 35/202 RPM | |
| Amps (min/max) | 0.04/0.25 A | |
| Watts (min/max) | 2.09/28.78 W | |
| Controller³ | Haiku Home app; handheld remote supplied | |
| Optional light kit | 16 dimmable light settings | |
| Operational temperature range | 32° to 104° F (0° to 40° C) | |
| Environment⁴ | For indoor or covered outdoor use | |
| Warranty (Residential)⁵ | Motor | Limited lifetime in the US and Canada |
| | All other components | 1 year in the US and Canada |
| Warranty (Commercial)⁵ | Motor | 2 years in the US and Canada |
| | All other components | 1 year in the US and Canada |

¹ XX-XX indicates placeholder numbers, which vary depending on finish options, where the fan is installed, and other factors.

² The actual, precise fan weight will vary based on individual component weights and finishing.

³ SenseME Technology is supported by Android™ and iOS®. All specifications are subject to change without notice.

⁴ Certified by Intertek/ETL to UL 507 damp rated applications

⁵ Warranties vary by country. See full warranty for details.

Accessories

Handheld Remote



Optional Haiku Wall Control



Optional Light Kit



Airfoil Finish



Polished Aluminum

Sensors

| | |
|------------------------------|--|
| Environmental sensors | Ambient temperature, surface temperature and relative humidity |
| Motion | Passive infrared |
| Communication radio | Embedded Wi-Fi chip |



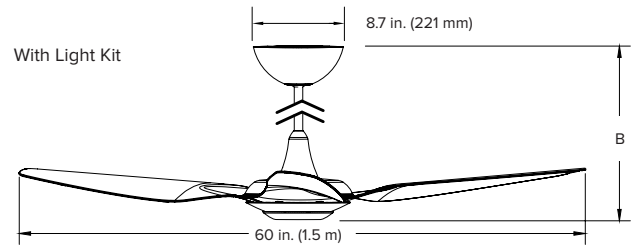
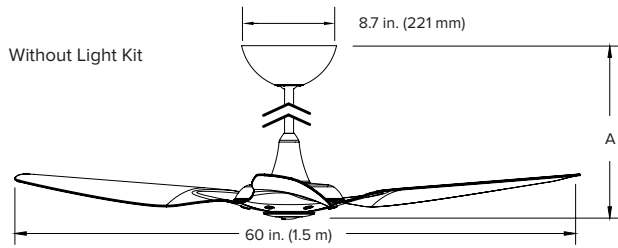
Made in USA
Haiku with SenseME



HAIKU
BY BIG ASS SOLUTIONS

H Series Fans

TECHNICAL SPECIFICATIONS



Technical Specifications

| Model | H Series Bamboo Universal Mount | | |
|-------------------------------------|---|---------------------------------------|--------------------|
| Model number ¹ | S3150-X2-XX-XX-02-C-01 | | |
| Fan diameter | 60 in. (1.5 m) | | |
| Extension tube length ² | 7 in. (178 mm) | 20 in. (508 mm) | 32 in. (813 mm) |
| Fan height without light (A) | 16 in. (406 mm) | 29 in. (737 mm) | 41 in. (1041 mm) |
| Fan height with light (B) | 16.5 in. (419 mm) | 29.5 in. (749 mm) | 41.5 in. (1054 mm) |
| Hanging weight ³ | 15 lb (6.8 kg) | | |
| Motor and assembly finishes | Caramel: white, black, satin nickel, oil-rubbed bronze Cocoa: black, satin nickel, oil-rubbed bronze | | |
| Airfoil material | Bamboo | | |
| Airfoil finishes | Caramel or Cocoa | | |
| Number of airfoils | 3 | | |
| Motor type | EC motor with digital inverter drive | | |
| Number of fan speeds | 7 | | |
| Operating voltage and frequency | 100–125 VAC, 1 Φ, 50–60 Hz 200–240 VAC, 1 Φ, 50–60 Hz | | |
| RPM (min/max) | 35/202 RPM | | |
| Amps (min/max) | 0.04/0.183 A | | |
| Watts (min/max) | 1.95/21.14 W | | |
| Controller ⁴ | Haiku Home app; handheld remote supplied | | |
| Optional light kit | 16 dimmable light settings | | |
| Operational temperature range | 32° to 104° F (0° to 40° C) | | |
| Environment | For indoor use only | | |
| Warranty (Residential) ⁵ | Motor | Limited lifetime in the US and Canada | |
| | All other components | 1 year in the US and Canada | |
| Warranty (Commercial) ⁵ | Motor | 2 years in the US and Canada | |
| | All other components | 1 year in the US and Canada | |

Accessories

Handheld Remote



Optional Haiku Wall Control



Optional Light Kit



Airfoil Finishes



Caramel Bamboo



Cocoa Bamboo

Sensors

| | |
|-----------------------|--|
| Environmental sensors | Ambient temperature, surface temperature and relative humidity |
| Motion | Passive infrared |
| Communication radio | Embedded Wi-Fi chip |

¹ XX-XX indicates placeholder numbers, which vary depending on finish options, where the fan is installed, and other factors.

² Extended length extension tubes are available in 48 in. (1219 mm) and 60 in. (1524 mm) and are packaged separately. For taller ceilings, a Tall Ceiling Kit is also available.

³ The actual, precise fan weight will vary based on individual component weights and finishing.

⁴ SenseME Technology is supported by Android™ and iOS®. All specifications are subject to change without notice.

⁵ Warranties vary by country. See full warranty for details.



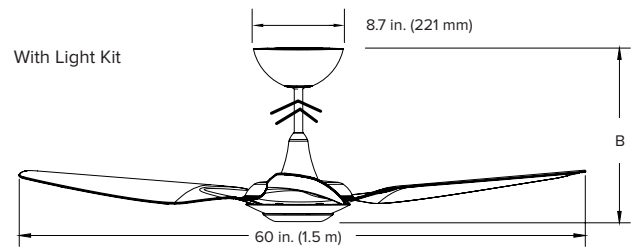
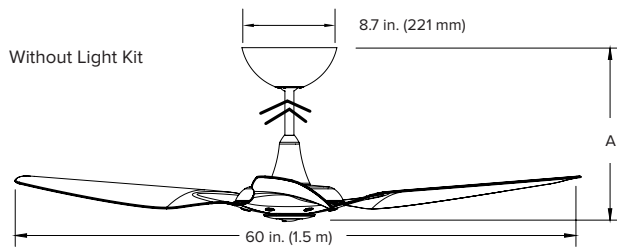
Made in USA
Haiku with SenseME



HAIKU
BY BIG ASS SOLUTIONS

H Series Fans

TECHNICAL SPECIFICATIONS



Technical Specifications

| Model | H Series Aluminum Universal Mount | | |
|-------------------------------------|--|---------------------------------------|--------------------|
| Model number ¹ | S3150-X2-XX-XX-02-C-01-F421 | | |
| Fan diameter | 60 in. (1.5 m) | | |
| Extension tube length ² | 7 in. (178 mm) | 20 in. (508 mm) | 32 in. (813 mm) |
| Fan height without light (A) | 16 in. (406 mm) | 29 in. (737 mm) | 41 in. (1041 mm) |
| Fan height with light (B) | 16.5 in. (419 mm) | 29.5 in. (749 mm) | 41.5 in. (1054 mm) |
| Hanging weight ³ | 17.5 lb (8 kg) | | |
| Motor and assembly finishes | Black or white | | |
| Airfoil material | Aluminum | | |
| Airfoil finishes | Polished aluminum | | |
| Number of airfoils | 3 | | |
| Motor type | EC motor with digital inverter drive | | |
| Number of fan speeds | 7 | | |
| Operating voltage and frequency | 100–125 VAC, 1 Φ, 50–60 Hz 200–240 VAC, 1 Φ, 50–60 Hz | | |
| RPM (min/max) | 35/202 RPM | | |
| Amps (min/max) | 0.037/0.25 A | | |
| Watts (min/max) | 2/28.78 W | | |
| Controller ⁴ | Haiku Home app; handheld remote supplied | | |
| Optional light kit | 16 dimmable light settings | | |
| Operational temperature range | 32° to 104° F (0° to 40° C) | | |
| Environment ⁵ | For indoor or covered outdoor use | | |
| Warranty (Residential) ⁶ | Motor | Limited lifetime in the US and Canada | |
| | All other components | 1 year in the US and Canada | |
| Warranty (Commercial) ⁶ | Motor | 2 years in the US and Canada | |
| | All other components | 1 year in the US and Canada | |

Accessories

Handheld Remote



Optional Haiku Wall Control



Optional Light Kit



Airfoil Finish



Polished Aluminum

Sensors

| | |
|-----------------------|--|
| Environmental sensors | Ambient temperature, surface temperature and relative humidity |
| Motion | Passive infrared |
| Communication radio | Embedded Wi-Fi chip |

¹ XX-XX indicates placeholder numbers, which vary depending on finish options, where the fan is installed, and other factors.
² Extended length extension tubes are available in 48 in. (1219 mm) and 60 in. (1524 mm) and are packaged separately. For taller ceilings, a Tall Ceiling Kit is also available.
³ The actual, precise fan weight will vary based on individual component weights and finishing.
⁴ SenseME Technology is supported by Android™ and iOS®. All specifications are subject to change without notice.
⁵ Certified by Intertek/ETL to UL 507 damp rated applications
⁶ Warranties vary by country. See full warranty for details.



Made in USA
Haiku with SenseME

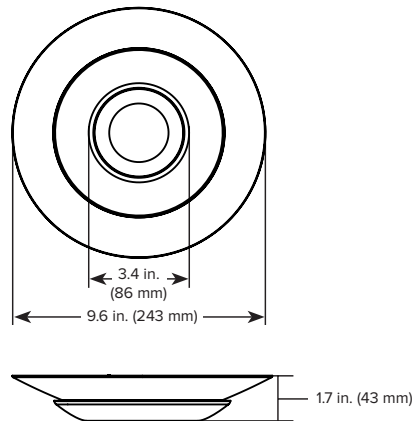


HAIKU
BY BIG ASS SOLUTIONS

Accessory:

Haiku Light Kit

TECHNICAL SPECIFICATIONS



| Technical Specifications | |
|---------------------------------|---|
| Operating voltage | 12/24 VDC |
| Operating current | 1.5 Adc (100% PWM) |
| Nominal input power | 16.3 W |
| Operating temperature | 32° to 104° F (0° to 40° C) |
| Lens diameter | 5.7 in. (145 mm) |
| Nominal lumen output | 1280 Lm |
| CRI | 82 |
| Corresponding color temperature | 2700 K |
| Dimming range | 3–100% |
| Operating life expectancy | 50,000 hours |
| Lens color | Diffused clear and smoky options included |
| Controller | On/Off control Digital dimmer |
| Warranty* | 1 year in the US and Canada |

*Warranties vary by country. See full warranty for details.

