



Haiku® Fans I Series

Iconic Design Meets Exceptional Efficiency

The I Series ceiling fan embodies our dedication to design, simplicity and efficiency. Built from our durable matrix glass composite and coated with three layers of automotive-quality paint, I Series is as resilient as it is sleek. Onboard SenseME™ Technology allows for automated fan operation, tailoring it to

fit your unique comfort needs and maximize both comfort and conservation. I Series is capable of connecting with other smart technologies to significantly reduce the workload of heating and cooling systems.

SenseME Technology Features



Motion Sensor

Detects when you enter or leave a room, turning the fan and LED light on and off automatically



Whoosh® Mode

Silently varies fan speed to mimic cooling natural breezes



Smart Mode

Alternates between seasonal settings—Smarter Heating and Smarter Cooling—to maintain comfort and maximize energy savings



Sleep Mode

Responds to changing conditions to provide customized comfort all night long



Scheduling

Sets precise schedules for fan control modes



Wi-Fi

Connects to the Haiku Home mobile app for fan control and over-the-air updates

PHYLUX

Tel: +65 6848 8500 / 6848 4747
Email: enquiry@haiku.com.sg

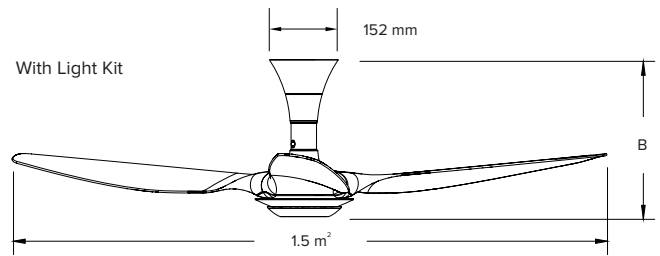
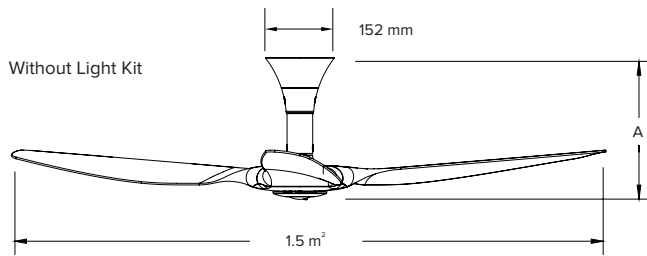


HAIKU

www.Haiku.com.sg

I Series Fans

TECHNICAL SPECIFICATIONS



Technical Specifications

Model	I Series Low Profile Mount
Model number¹	K3150-S0-XX-XX-02-A-01
Fan diameter²	1.5 m
Fan height without light (A)	305 mm
Fan height with light (B)	318 mm
Hanging weight³	7.3 kg
Motor and assembly finishes	Black or white
Aerofoil material	Glass composite
Aerofoil finishes	Black or white
Number of aerofoils	3
Motor type	EC motor with digital inverter drive
Fan speeds	7
Operating voltage and frequency	100–125 VAC, 1 Φ , 50–60 Hz 200–240 VAC, 1 Φ , 50–60 Hz
IP rating	X2
RPM (min/max)	35/202 RPM
Amps (min/max)	0.05/0.363 A
Watts (min/max)	1.39/21.34 W
Controller⁴	Haiku Home app; handheld remote supplied
Optional light kit	16 dimmable light settings
Operational temperature range	0° to 40° C
Environment	Indoor or covered outdoor use
Warranty⁵	1 year

¹ XX-XX indicates placeholder numbers, which vary depending on LED option, where the fan is installed, and other factors.

² Diameter of airfoil sweep

³ The actual, precise fan weight will vary based on individual component weights and finishing.

⁴ SenseME Technology is supported by Android™ and iOS™. All specifications are subject to change without notice.

⁵ Warranties may vary by country. See full warranty for details.

Accessories

Handheld Remote



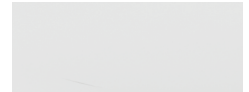
Optional Light Kit



Aerofoil Finishes



Black



White

Sensors

Environmental sensors	Ambient temperature, surface temperature and relative humidity
Motion	Passive infrared
Communication radio	Embedded Wi-Fi chip

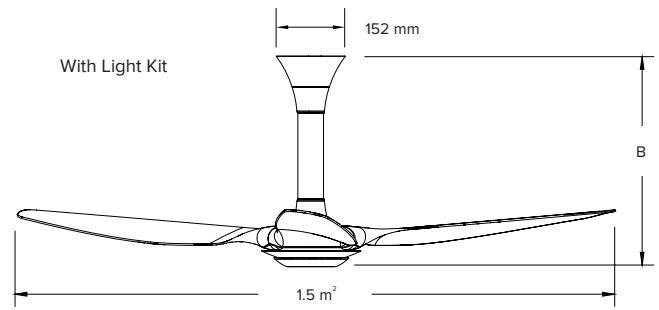
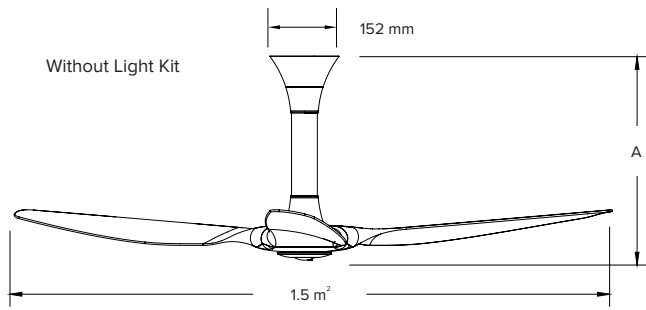


HAIKU

BY BIG ASS SOLUTIONS

I Series Fans

TECHNICAL SPECIFICATIONS



Technical Specifications

Model	I Series Standard Mount
Model number¹	K3150-A2-XX-XX-02-A-01
Fan diameter²	1.5 m
Fan height without light (A)	429 mm
Fan height with light (B)	442 mm
Hanging weight³	7.3 kg
Motor and assembly finishes	Black or white
Aerofoil material	Glass composite
Aerofoil finishes	Black or white
Number of aerofoils	3
Motor type	EC motor with digital inverter drive
Fan speeds	7
Operating voltage and frequency	100–125 VAC, 1 Φ , 50–60 Hz 200–240 VAC, 1 Φ , 50–60 Hz
IP rating	X2
RPM (min/max)	35/202 RPM
Amps (min/max)	0.05/0.363 A
Watts (min/max)	2.19/31.27 W
Controller⁴	Haiku Home app; handheld remote supplied
Optional light kit	16 dimmable light settings
Operational temperature range	0° to 40° C
Environment	Indoor or covered outdoor use
Warranty⁵	1 year

¹ XX-XX indicates placeholder numbers, which vary depending on LED option, where the fan is installed, and other factors.

² Diameter of airfoil sweep

³ The actual, precise fan weight will vary based on individual component weights and finishing.

⁴ SenseME Technology is supported by Android™ and iOS®. All specifications are subject to change without notice.

⁵ Warranties may vary by country. See full warranty for details.

Accessories

Handheld Remote



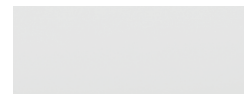
Optional Light Kit



Aerofoil Finishes



Black



White

Sensors

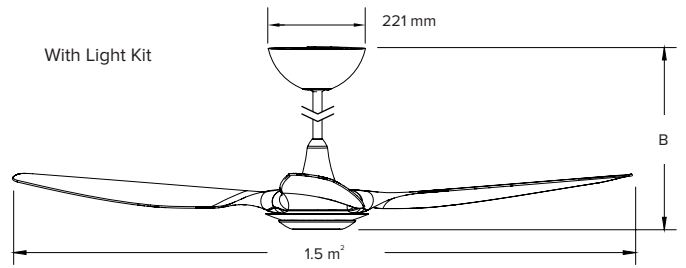
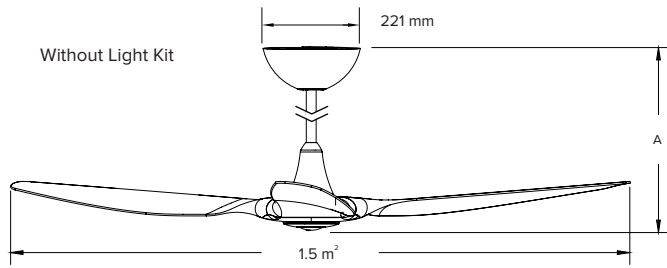
Environmental sensors	Ambient temperature, surface temperature and relative humidity
Motion	Passive infrared
Communication radio	Embedded Wi-Fi chip



HAIKU
BY BIG ASS SOLUTIONS

I Series Fans

TECHNICAL SPECIFICATIONS



Technical Specifications

Model	I Series Universal Mount		
Model number¹	K3150-X2-XX-XX-02-A-01		
Fan diameter²	1.5 m		
Extension tube length³	178 mm	508 mm	813 mm
Fan height without light (A)	399 mm	729 mm	1034 mm
Fan height with light (B)	412 mm	742 mm	1047 mm
Hanging weight⁴	6.8 kg		
Motor and assembly finishes	Black or white		
Aerofoil material	Glass composite		
Aerofoil finishes	Black or white		
Number of aerofoils	3		
Motor type	EC motor with digital inverter drive		
Fan speeds	7		
Operating voltage and frequency	100–125 VAC, 1 Φ, 50–60 Hz 200–240 VAC, 1 Φ, 50–60 Hz		
IP rating	X2		
RPM (min/max)	35/198 RPM		
Amps (min/max)	0.05/0.363 A		
Watts (min/max)	2.05/29.93 W		
Controller⁵	Haiku Home app; handheld remote supplied		
Optional light kit	16 dimmable light settings		
Operational temperature range	0° to 40° C		
Environment	For indoor or covered outdoor use		
Warranty⁶	1 year		

¹ XX-XX indicates placeholder numbers, which vary depending on LED option, where the fan is installed, and other factors.

² Diameter of airfoil sweep

³ Extended length extension tubes are available in 1219 mm and 1524 mm and are packaged separately. For taller ceilings, a Tall Ceiling Kit is also available.

⁴ The actual, precise fan weight will vary based on actual individual component weights and finishing.

⁵ SenseME Technology is supported by Android[®] and iOS[®]. All specifications are subject to change without notice.

⁶ Warranties may vary by country. See full warranty for details.

Accessories

Handheld Remote



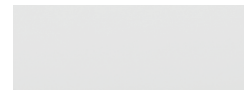
Optional Light Kit



Aerofoil Finishes



Black



White

Sensors

Environmental sensors	Ambient temperature, surface temperature and relative humidity
Motion	Passive infrared
Communication radio	Embedded Wi-Fi chip



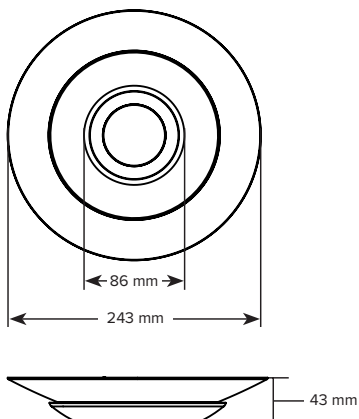
HAIKU

BY BIG ASS SOLUTIONS

Optional Accessory:

Haiku Light Kit

TECHNICAL SPECIFICATIONS



Technical Specifications

Operating voltage	12/24 VDC
Operating current	1.5 Adc (100% PWM)
Nominal input power	16.3 W
Operating temperature	0° to 40° C
Lens diameter	145 mm
Nominal lumen output	1280 Lm
CRI	82
Corresponding color temperature	2700 K
Dimming range	3–100%
Operating life expectancy	50,000 hours
Lens color	Diffused clear and smoky options included
Controller	On/Off control Digital dimmer
Warranty*	1 year

*Warranties may vary by country. See full warranty for details.

